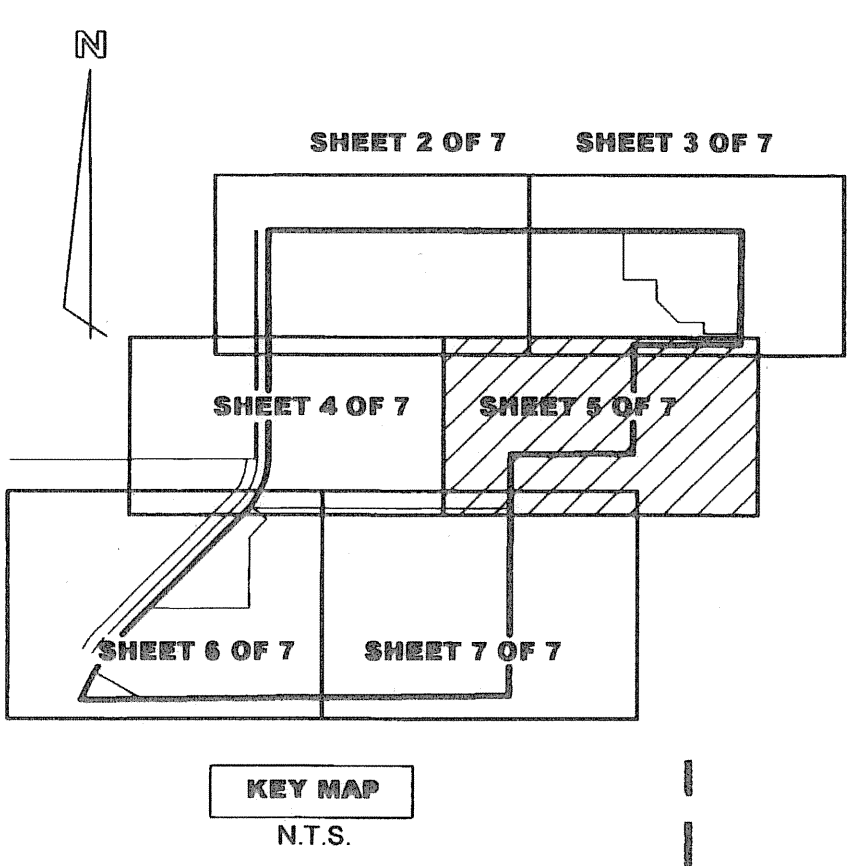


VILLAGE AT DELRAY

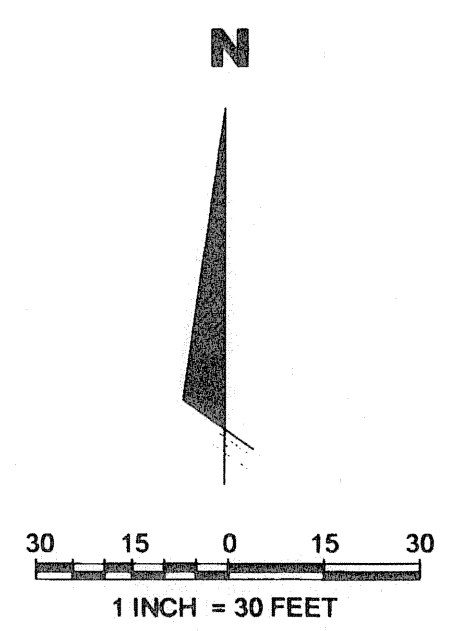
A REPLAT OF TRACTS A, C, D, F AND G
AUBURN TRACE, (PLAT BOOK 64 AT PAGE 184 THROUGH PAGE 186)
BEING IN SECTION 20, TOWNSHIP 46 SOUTH, RANGE 43 EAST,
CITY OF DELRAY BEACH, PALM BEACH COUNTY, FLORIDA

JULY 2008

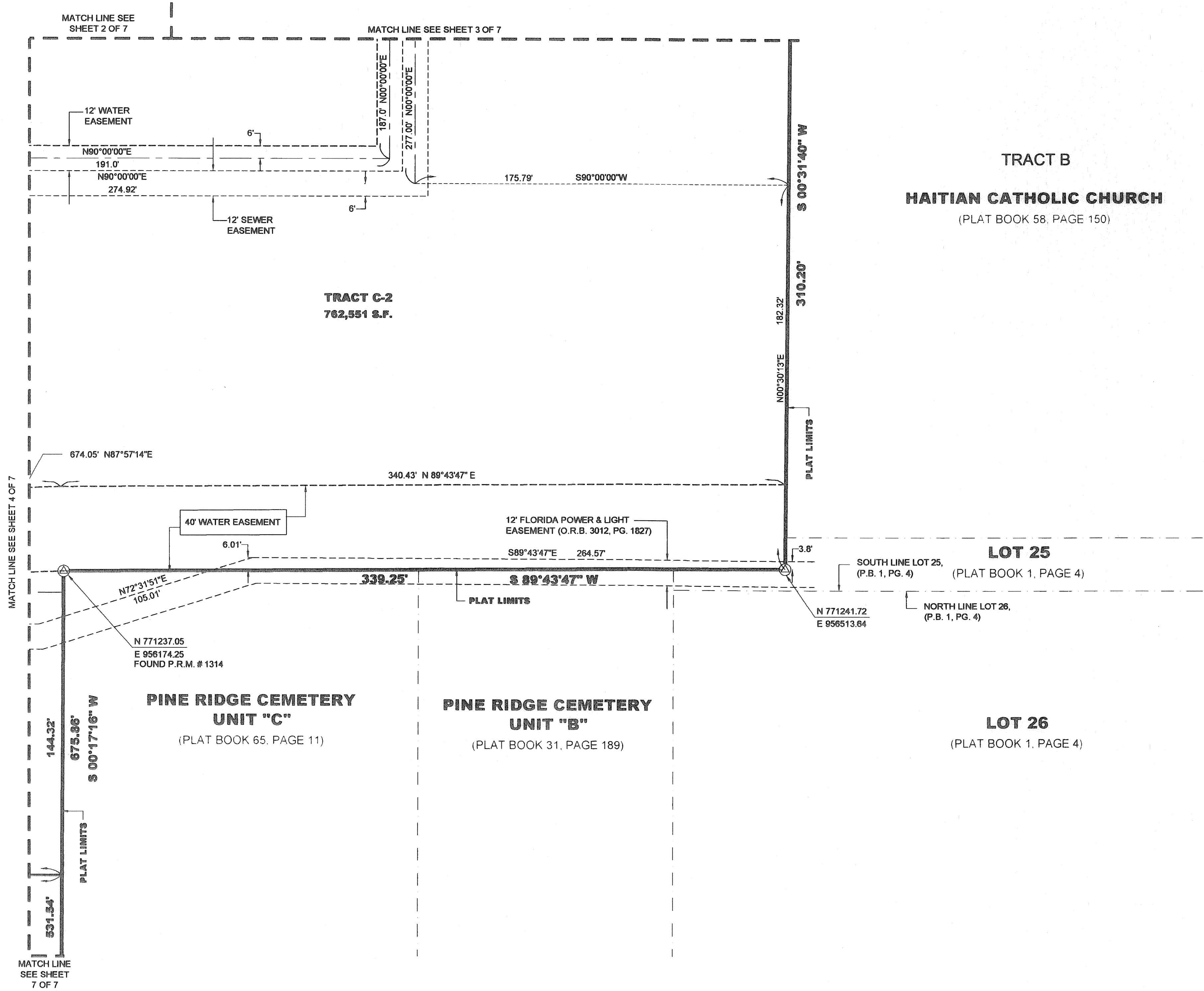


LEGEND:

P.B.	PLAT BOOK
PG.	PAGE
O.R.B.	OFFICIAL RECORD BOOK
HWS	HELLER-WEAVER AND SHEREMETA
S.F.	SQUARE FEET
R	RADIUS OF CURVE
L	LENGTH OF CURVE
Δ	DELTA ANGLE OF CURVE
C1	REFER TO CURVE TABLE
F.P.L.	FLORIDA POWER AND LIGHT CO.
U.E.	UTILITY EASEMENT
G.U.E.	GENERAL UTILITY EASEMENT
---	SEWER EASEMENT LINE
---	WATER EASEMENT LINE
---	GENERAL UTILITY EASEMENT LINE



SHEET 5 OF 7



L.B. NO. 0003449

Heller - Weaver and Sheremeta, inc.
Engineers ... Surveyors and Mappers
310 S.E. 1st Street, Suite 4
Delray Beach, Florida 33483
Phone: (561) 243-8700
Fax: (561) 243-8777